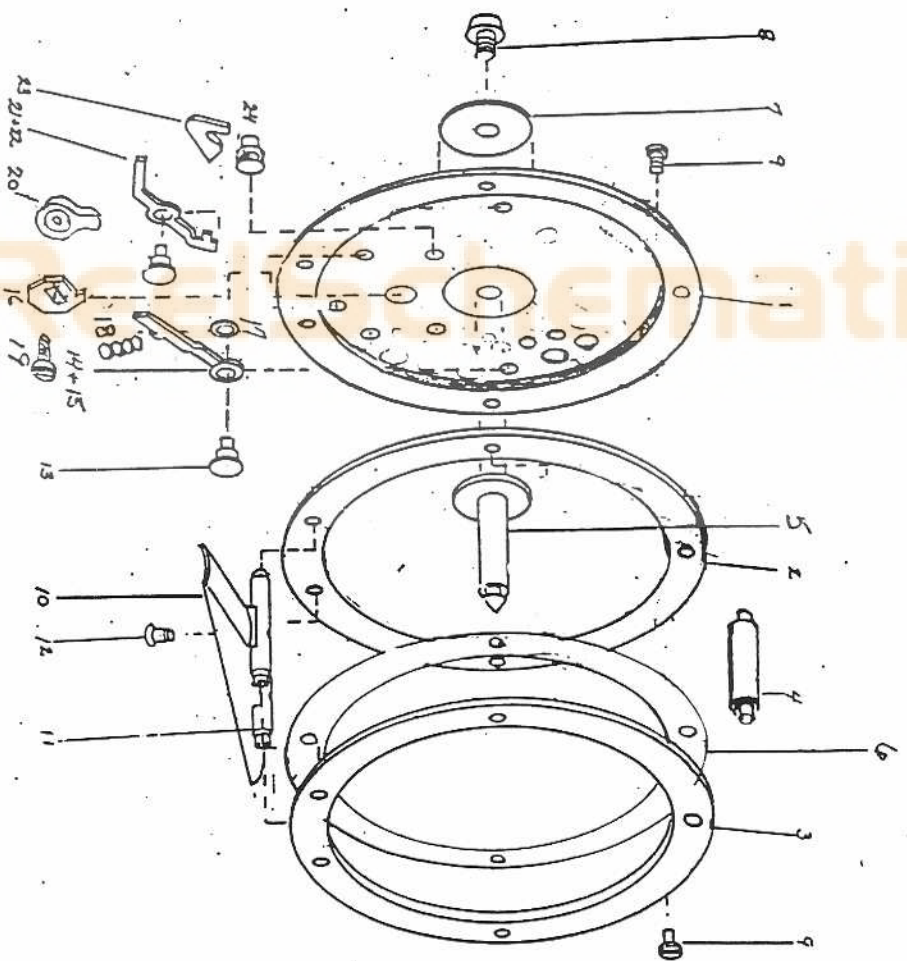


MT-45

MT-45



PART NUMBER	QUAN.	PART NUMBER	QUAN.
1 BAGK-S-1-MT45	1	15 RATCHET LEVER 755L-B	1
2 LINE GUIDE 195	1	16 CAM #150	1
3 TOP KIM 197	1	17 STUD WASHER #749	1
4 REEL POST 145	5	18 SPRING #5105	2
5 SPINDLE 506P	1	19 CAM SCREW #139	1
6 LINE GUIDE 196	1	20 CAM KNOB #146	1
7 SPINDLE CAP 455	1	21 RATCHET LEVER 754B	1
8 SPINDLE SCREW 838-S	1	22 RATCHET LEVER 754LB	1
9 REEL FOOT 740	1	23 RATCHET PAWL 756	2
10 REEL FOOT SCREW	1	24 RATCHET PAWL STUD 751	2
11 REEL SCREW 201	2		
12 REEL STUD 750	1		
13			
14			

QUAN WILL HAVE TABLE
USED TO MAKE THIS
PART UNIT 7410 IS
AVAILABLE.